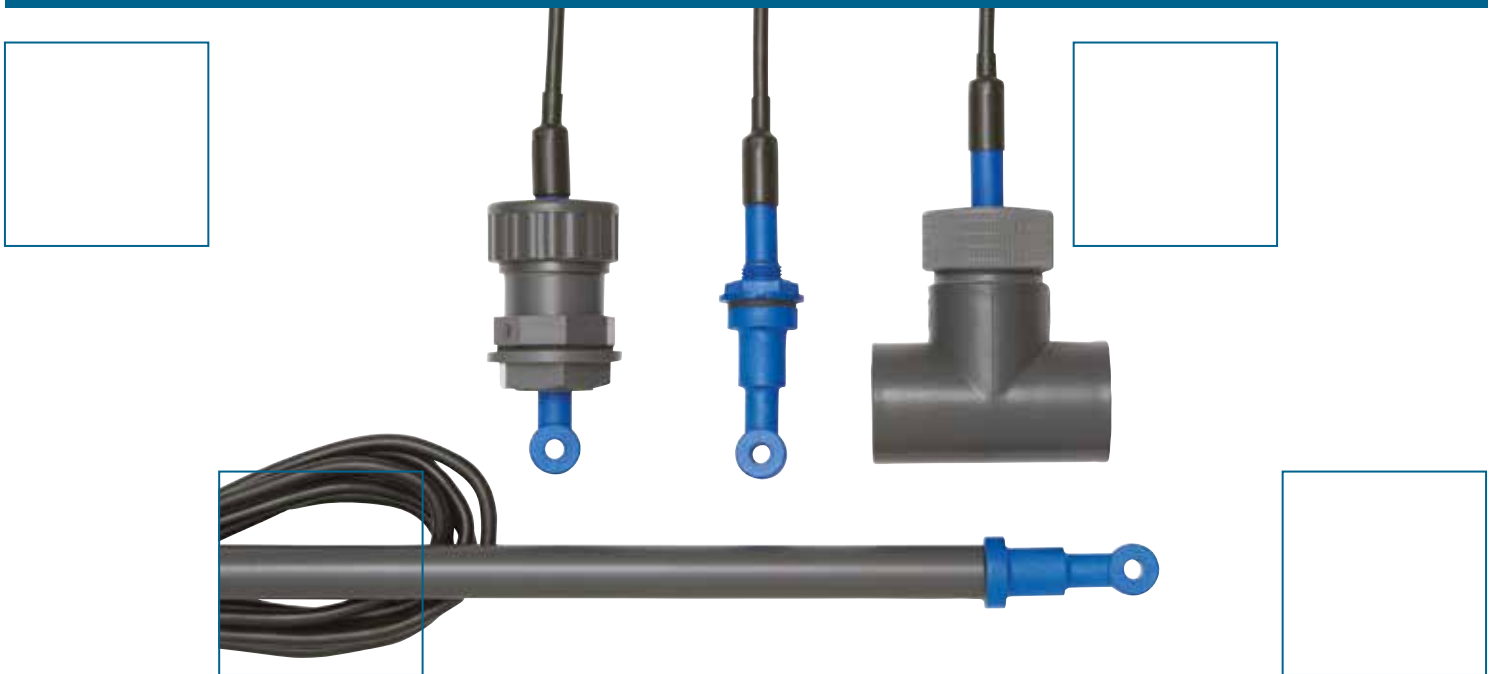


ECS20 SERIES

Low Cost Electrodeless Conductivity Sensors.



Features

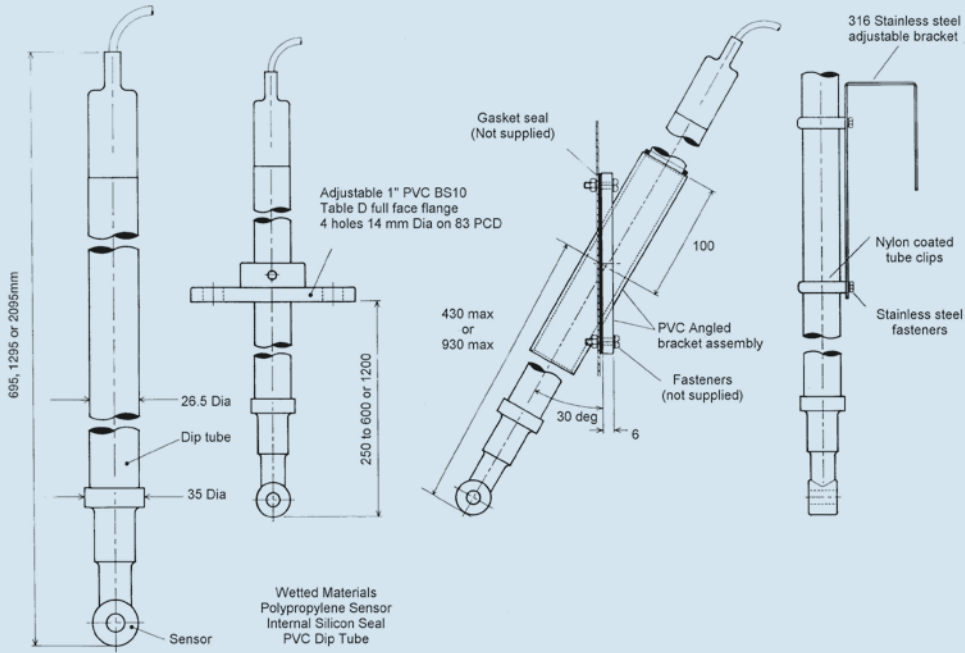
- Low maintenance
- Inline, dip and tank mounting options
- Ideal for cooling tower bleed, rinse water & solution concentration applications
- Competitively priced

The ECS20 series of electrodeless conductivity sensors have been developed and engineered to produce a very low cost sensor without sacrificing performance or quality. This has been achieved by injection moulding the sensor in glass loaded polypropylene.

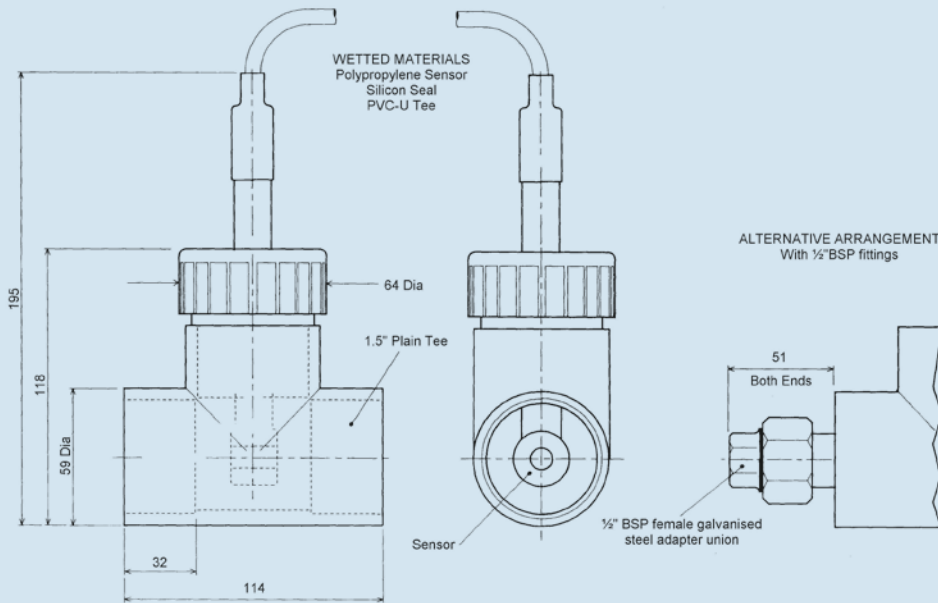
The ECS20 series sensors are extremely tolerant of coating on the sensor, probably the greatest problem with conventional conductivity measurement. The sensors will operate with virtually zero maintenance and provide reliable measurement.

The ECS20T incorporates temperature compensation and by utilising the correct version and suitable mounting accessories the sensors can be mounted inline, in an open tank, in a tank wall or a large bore pipe.

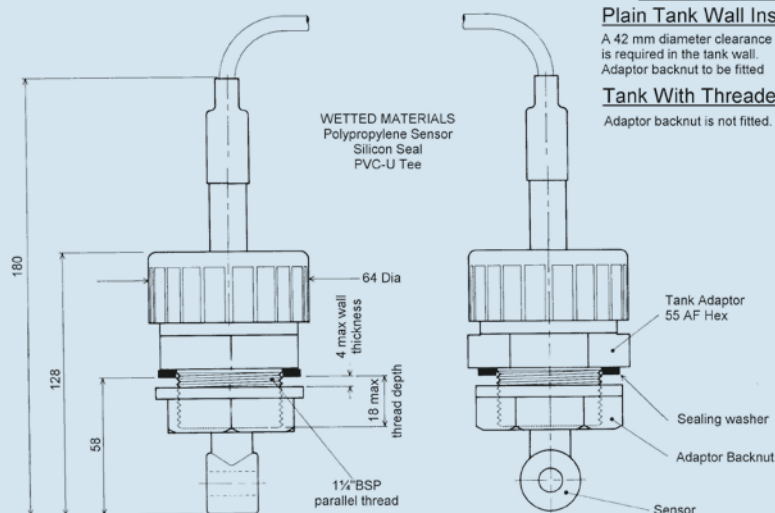
ECS22T



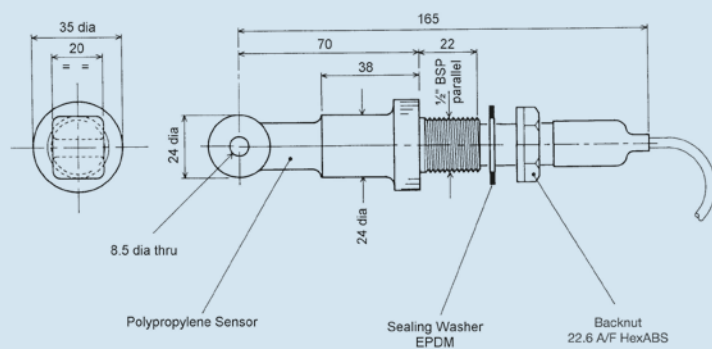
ECS24T



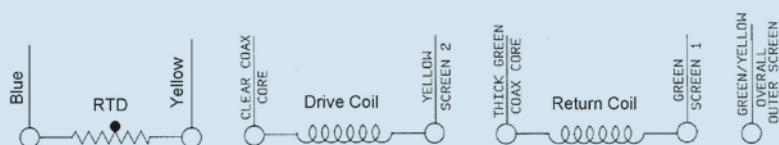
ECS27T



ECS20T



NOTE: 22.0 - 21.4 diameter hole required for fitting



ECS20T sensor only

Operating temperature:
-5 to 60°C (not freezing)

Wetted material:
Glass filled Polypropylene

Temperature compensation:
PT1000

Cable:
Cable length up to 100 metres maximum (Dependent on instrument type), terminated with tag ends or C16 connector

Connection:
0.5" BSP male

Protection:
IP67

ECS22T dip assembly

Material:
PVC

Operating temperature:
-5 to 60°C (not freezing)

Dip length:
600, 1200 or 2000mm

Mounting:
Bracket or flange options

Protection:
IP68

ECS24T in line assembly

Material:
PVC with Viton seal.

Operating temperature:
-5 to 60°C (not freezing)

Size:
1.5" plain tee with 0.5" BSP option.

Operating pressure:
Vacuum to 6.5 bar (100 psi).

ECS27T tank mounting/insertion assembly

Material:
PVC with Viton seal.
Operating temperature:
-5 to 60°C (not freezing)

Size:
1.25" BSP

Operating pressure:
Vacuum to 6.5 bar (100 psi).

ECS20 Series Electrodeless Conductivity Sensors

Temperatures Up to 60°C, manufactured from glass filled polypropylene, fitted with PT1000 temperature compensation

Type	Stock No	Description
ECS20T	8480	Moulded electrodeless conductivity sensor, 5 metre cable.
ECS20T	8492	Moulded electrodeless conductivity sensor, 10 metre cable.
ECS22T	8481	600 mm PVC dip assembly with ECS20T sensor.
ECS22T	8484	600 mm PVC dip assembly with ECS20T sensor, 10 metre cable
ECS22T	8493	600 mm PVC dip assembly with ECS20T sensor, 10 metre cable, Internal Viton O Ring seal.
ECS22T	8482	1200 mm PVC dip assembly with ECS20T sensor.
ECS22T	8485	1200 mm PVC dip assembly with ECS20T sensor, 10 metre cable
ECS22T	8487	2000 mm PVC dip assembly with ECS20T sensor, 5 metre cable
ECS24T	8489	In-line 1.5" plain PVC tee assembly with ECS20T sensor
ECS24T	8486	In-line 1.5" plain PVC tee assembly with ECS20T sensor, 10 metre cable
ECS24T	8494	In-line 2" plain PVC tee assembly with ECS20T sensor, 5 metre cable
ECS24T	8490	As 8489 but with 0.5" BSP galvanised connections
ECS27T	8491	Insertion tank mounting 1.25" BSP PVC assembly with ECS20T sensor
54H	138/137	Additional 54H cable for ECS/20 series non-standard lengths. (Price per metre)

ECS20 Series Electrodeless Conductivity Sensors

Temperatures Up to 60°C, manufactured from Glass filled polypropylene, fitted with PT1000 temperature compensation fitted with C16 connectors for use with the HET63 wall mount transmitters

Type	Stock No	Description
ECS20T	8535	Moulded Electrodeless conductivity sensor with 5 metre cable.
ECS22T	8536	600 mm PVC dip assembly with ECS20T sensor, 5 metre cable
ECS22T	8537	1200 mm PVC dip assembly with ECS20T sensor, 5 metre cable
ECS22T	8549	2000 mm PVC dip assembly with ECS20T sensor, 5 metre cable
ECS24T	8538	In-line 1.5" plain PVC tee assembly with ECS20T sensor, 5 metre cable
ECS24T	8539	As 8489 but with 0.5" BSP galvanised connections
ECS27T	8540	Insertion tank mounting 1.25" BSP PVC assembly with ECS20T sensor
54H	138/137	Additional 54H cable for ECS/20 series non-standard lengths. (Price per metre)

ECS20 Series Sensor Mounting Accessories

Temperatures Up to 60° C, manufactured from Glass filled polypropylene, fitted with PT1000 temperature compensation fitted with C16 connectors for use with the HET63 wall mount transmitters

Type	Stock No	Description
Adapter	6081	ECS22T PVC tank wall angled flange adapter. 0-60°C
Bracket	1624	ECS22T stainless steel mounting bracket.
Flange	6082	ECS22T 1" PVC adjustable flange. 0-60°C
Tee	8489/001	Replacement 1.5" PVC tee piece for 8489 and 8538 ECS/24T.