

PTU50

ultrasonic level transmitter

Ultrasonic level transmitter

Range 0.05 to 1.5 meters

Blind zone 5 cm

IP68

Suitable for liquids measurement

Comm. Protocol MODBUS RTU

Power supply 24vDC

Output: 4-20 mA analogue output



Non-intrusive level measurement systems are the preferred technology for many applications and for this reason SGM-LEKTRA developed the level/distance transmitters PTU50 / 51 / 56. These units are compact with a unique simplicity of commissioning. Calibration and transmitter configuration is possible, even remotely, thanks to a MODBUS RTU connection together with the related software for the PC, or via VLW601 display unit VLW601. The IP68 transmitter protection allows installation in underground wells.

TECHNICAL FEATURES

Housing material

PP

Mechanical installation

1" GAS M - PP flange DN100/125 opt.

Protection degree

IP68

Electrical connection

IP68 male connector with 5/10/15/20m linking cable

Working temperature

-25 to +75°C

Pressure

From 0.5 to 1.5 bar (absolute)

Power supply

24vDC

Power consumption

1.5W

Analog output

4-20mA max 750ohm

Digital communication

MODBUS RTU

Range

0.05 to 1.5m

In case of non perfectly reflecting surfaces, the maximum distance value will be reduced

Temperature compensation

digital in the working temperature

Accuracy $\pm 0.2\%$ (of the measured distance) not better than $\pm 3\text{mm}$

Resolution

1mm

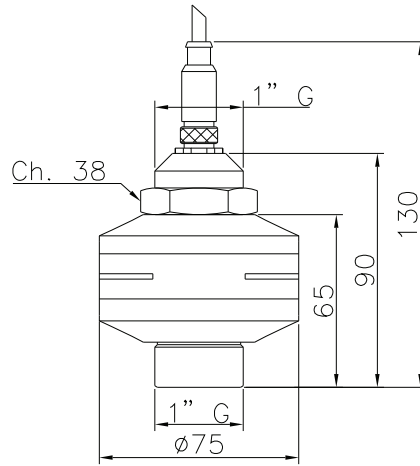
Calibration VLW601 prog. module with 4 buttons or by MODBUS

Warm-up

30 minutes

Display

matrix LCD display on VLW601 module (opt.)



PTU50

Level transmitter

Ultrasonic for measurement in liquids and muds
 Range: 0.05 to 1.5m; IP68 proof
 Housing in polypropylene (PP)
 Calibration by VLW601 / VLW90M units or via MODBUS
 Power supply 24vDC - Output 4-20mA + MODBUS
 Temperature range -25 to +75°C

Version	
E	With SS316 male connector
P	With plastic (PA) male connector
Z	Special
Process connection / Sensor material	
0	G 1" / PP + n. 1 1" BSP / PP fixing bolt
1	DN100 PN6 UNI 1092-1 flange / PP
9	Special
Accessories	
A	None
F	MODBUS PC communication S/W (010F105A)
H	Extension for PTU5x L=250mm in PP + DN100 flange
L	Adjustable extension for PTU5x in PP + DN100 flange (Lmin= 85mm Lmax=690mm)
M	IP68 female connector in plastic (PA) with 5m linking cable
T	IP68 female connector in SS316 with 5m linking cable
U	IP68 female connector in SS316 with 10m linking cable
V	IP68 female connector in SS316with 15m linking cable
W	IP68 female connector in SS316 with 20m linking cable
Z	Special

PTU51

ultrasonic level transmitter

Ultrasonic level transmitter

Range 0.3 to 6 meters

Blind zone 30 cm

IP68

Suitable for measuring of liquids

Comm. Protocol MODBUS/ BLUETOOTH

Power supply 24vDC

Output: 4-20 mA analogue output

Remote control via Smartphone



Non-intrusive level measurement systems are the preferred technology for many applications and for this reason SGM-LEKTRA developed the level/distance transmitters PTU50 / 51 / 56. These units are compact with a unique simplicity of commissioning. Calibration and transmitter configuration is possible, even remotely, thanks to a MODBUS RTU connection together with the related software for the PC, or via VLW601 display unit.

The IP68 transmitter protection allows installation in underground wells. The application for configuration and programming via bluetooth, available on Google Play, is compatible with the most common devices with operating system ANDROID 4.2 and subsequent. It is possible to read the measurements detected by the transmitter and set the configuration parameters of the sensor. The smartphone terminal must be equipped with the BLUETOOTH device of class 1 and version 2.1. The maximum reception / transmission distance is 15m in open air.

TECHNICAL FEATURES

Housing material

PP

Mechanical installation

1" GAS M - PP flange DN100/125 opt.

Protection degree

IP68

Electrical connection

IP68 male connector with 5/10/15/20m linking cable

Working temperature

-25 to +75°C

Pressure

From 0.5 to 1.5 bar (absolute)

Power supply

24vDC

Power consumption

1.5W

Analog output

4-20mA max 750ohm

Digital communication

MODBUS RTU

Range

0.3 to 6m

In case of non perfectly reflecting surfaces, the maximum distance value will be reduced

Temperature compensation

digital in the working temperature

Accuracy $\pm 0.2\%$ (of the measured distance) not better than $\pm 3\text{mm}$

Resolution

1mm

Calibration

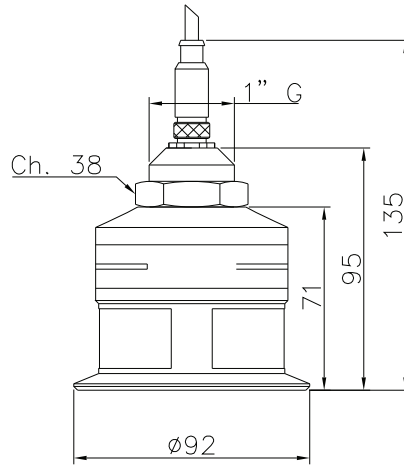
VLW601 prog. module with 4 buttons; MODBUS; or via smartphone

Warm-up

30 minutes

Display

LCD display on VLW601 module (opt.); Android App



PTU51

Level transmitter

Ultrasonic - for measurement in liquids, muds, acids and granulates.
 Range: 0.3 ÷ 6m; IP68 proof
 Housing in polypropylene (PP)
 Calibration by VLW601 / VLW90M units, via MODBUS or via BLUETOOTH with Android APP (opt)
 Power supply 24vDC - Output 4-20mA + MODBUS
 Temperature range -25 to +75°C

Version	
B	With SS3 16 male connector + BLUETOOTH
E	With SS3 16 male connector
P	With plastic (PA) male connector
Z	Special
Process connection / Sensor material	
0	G 1" / PP + n.1 1" BSP / PP fixing bolt
1	DN100 PN6 UNI 1092-1 / PP flange
9	Special
Accessories	
A	None
F	MODBUS PC communication SW (010F105A)
H	Extension L=250 mm in PP + DN100 flange
L	Adjustable extension in PP + DN100 flange (Lmin= 85mm Lmax=690mm)
M	IP68 female connector in plastic (PA) with 5m linking cable
T	IP68 female connector in SS 316 with 5m linking cable
U	IP68 female connector in SS 316 with 10m linking cable
V	IP68 female connector in SS 316 with 15m linking cable
W	IP68 female connector in SS 316 with 20m linking cable
Z	Special

PTU56

ultrasonic level transmitter

Ultrasonic level transmitter

Range 0.5 to 12 meters Blind zone 50 cm

IP68

Suitable for measuring of liquids

Comm. Protocol MODBUS/ BLUETOOTH

Power supply 24vDC

Output: 4-20 mA analogue output

Remote control via Smartphone



Non-intrusive level measurement systems are the preferred technology for many applications and for this reason SGM-LEKTRA developed the level/distance transmitters PTU50 / 51 / 56. These units are compact with a unique simplicity of commissioning. Calibration and transmitter configuration is possible, even remotely, thanks to a MODBUS RTU connection together with the related software for the PC, or via VLW601 display unit. The IP68 transmitter protection allows installation in underground wells. The application for configuration and programming via bluetooth, available on Google Play, is compatible with the most common devices with operating system ANDROID 4.2 and subsequent. It is possible to read the measurements detected by the transmitter and set the configuration parameters of the sensor. The smartphone terminal must be equipped with the BLUETOOTH device of class 1 and version 2.1. The maximum reception / transmission distance is 15m in open air.

TECHNICAL FEATURES

Housing material

PP

Mechanical installation

1" GAS M - PP flange DN100/125 opt.

Protection degree

IP68

Electrical connection

IP68 male connector with 5/10/15/20m linking cable

Working temperature

-25 to +75°C

Pressure

From 0.5 to 1.5 bar (absolute)

Power supply

24vDC

Power consumption

1.5W

Analog output

4-20mA max 750ohm

Digital communication

MODBUS RTU

Range

0.3 to 12m

In case of non perfectly reflecting surfaces, the maximum distance value will be reduced

Temperature compensation

digital in the working temperature

Accuracy $\pm 0.2\%$ (of the measured distance) not better than $\pm 3\text{mm}$

Resolution

1mm

Calibration

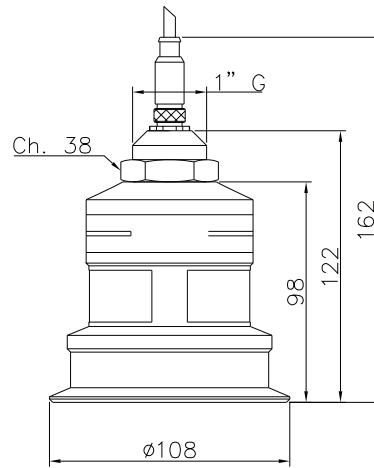
VLW601 prog. module with 4 buttons; MODBUS; or via smartphone

Warm-up

30 minutes

Display

LCD display on VLW601 module (opt.); Android App



PTU56

Level transmitter

Ultrasonic - for measurement in liquids, muds, acids and granulates.
 Range: 0.5 to 12m; IP68 proof
 Housing in polypropylene (PP)
 Calibration by VLW601 / VLW90M units, via MODBUS or via BLUETOOTH with Android APP (opt)
 Power supply 24vDC - Output 4-20mA + MODBUS
 Temperature range -25 to +75°C

Version	
B	With SS3 16 male connector + BLUETOOTH
E	With SS3 16 male connector
P	With plastic (PA) male connector
Z	Special
Process connection / Sensor material	
0	G 1" / PP + n.1 1" BSP fixing bolt/ PP
1	DN125 PN6 UNI 1092-1 flange / PP
9	Special
Accessories	
A	None
F	MODBUS PC communication S/W (010F105A)
H	Extension for PTU5x L=250 mm in PP + DN125 flange
L	Adjustable extension for PTU5x in PP + DN125 flange (Lmin= 85mm Lmax=690mm)
M	IP68 female connector in plastic (PA) with 5m linking cable
T	IP68 female connector in SS 316 with 5m linking cable
U	IP68 female connector in SS 316 with 10m linking cable
V	IP68 female connector in SS 316 with 15m linking cable
W	IP68 female connector in SS 316 with 20m linking cable
Z	Special