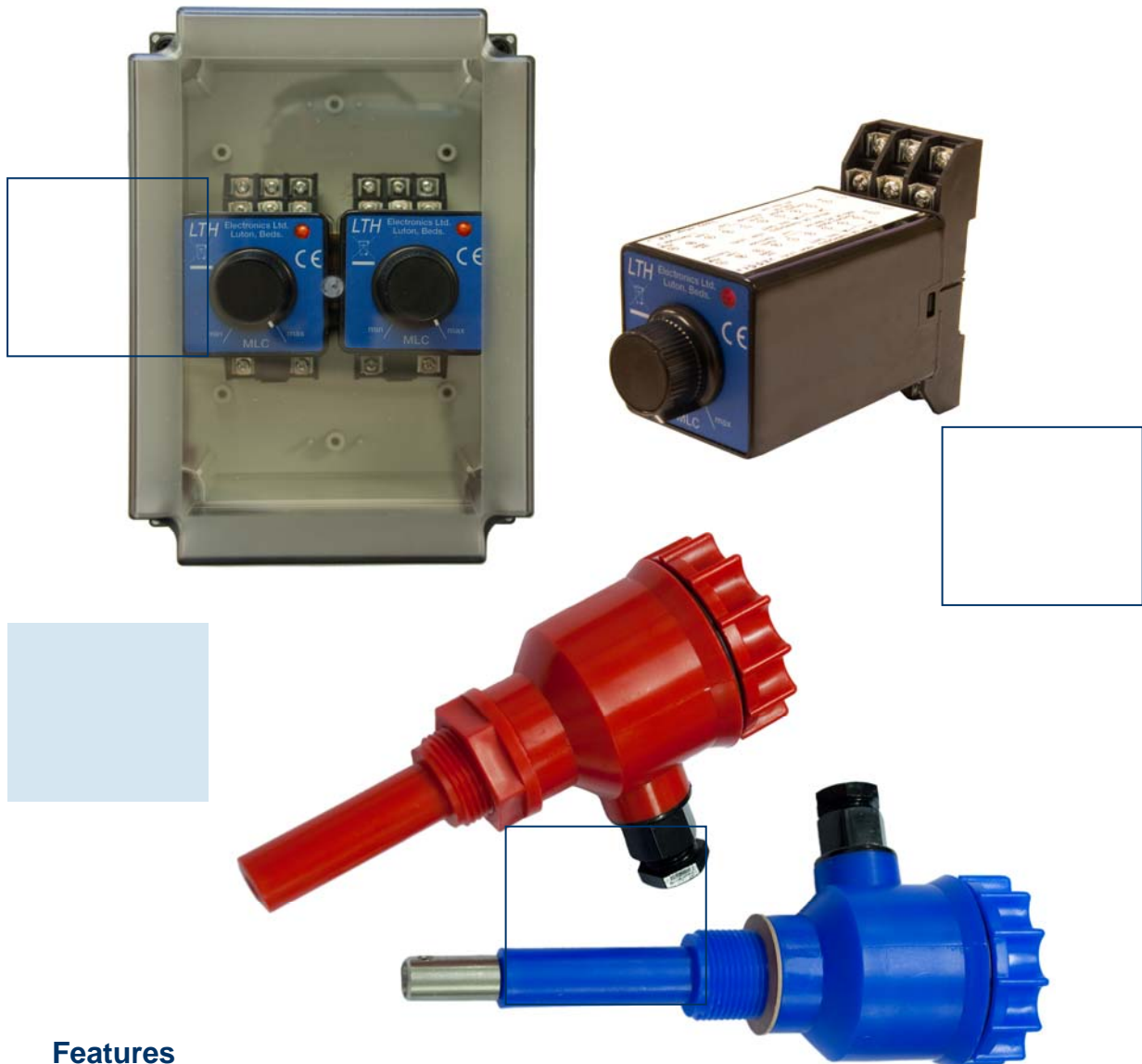


MLC Liquid Level Controller

E7 Series Liquid Level Electrode Holder



Features

- Surface and DIN Rail mounting options
- Adjustable Sensitivity
- 24v, 115v or 230vAC Options
- Fail Safe at High or Low Level

MLC Level Controller

The MLC Plug in Level controller has been designed to provide efficient & reliable level control of electrically conducting liquids. The MLC is available in DIN rail mounting format or can be supplied in an IP65 plastic enclosure which can either house one or two controllers to suit the system requirements.

The controller operates on the principle of electrolytic conductivity by the conduction of a low level current through the liquid via electrodes set at the desired level. When the liquid makes or breaks contact with the electrodes the relay contacts in the MLC controller open or close as required. A high intensity red LED lamp shows the state of the relay.

A single MLC controller provides High / Low level alarm for one level or control between two levels of liquids & their foams in tanks, sumps, boreholes or process vessels. The relay in the MLC can be selected to de-energise (Fail safe) at "High" or "Low" level & prevent uncontrolled filling or emptying under fault conditions.

The sensitivity of the MLC level controller can be adjusted via the potentiometer on the front of controller enabling the MLC to be used with a variety of liquids having a wide range of conductivity, from water to acids, alkalis, milk, emulsions etc. The adjustment of the sensitivity ensures decisive operation at the precise level required without intermittent operation due to "tracking" across the electrode insulators.

The MLC controller can be supplied for 24v, 110 or 230vAC 50/60 Hz operation, with the voltage is to be specified when ordering. LTH can offer a range of single or Multi electrode holders for use with the MLC controllers – please contact our sales department for further details.

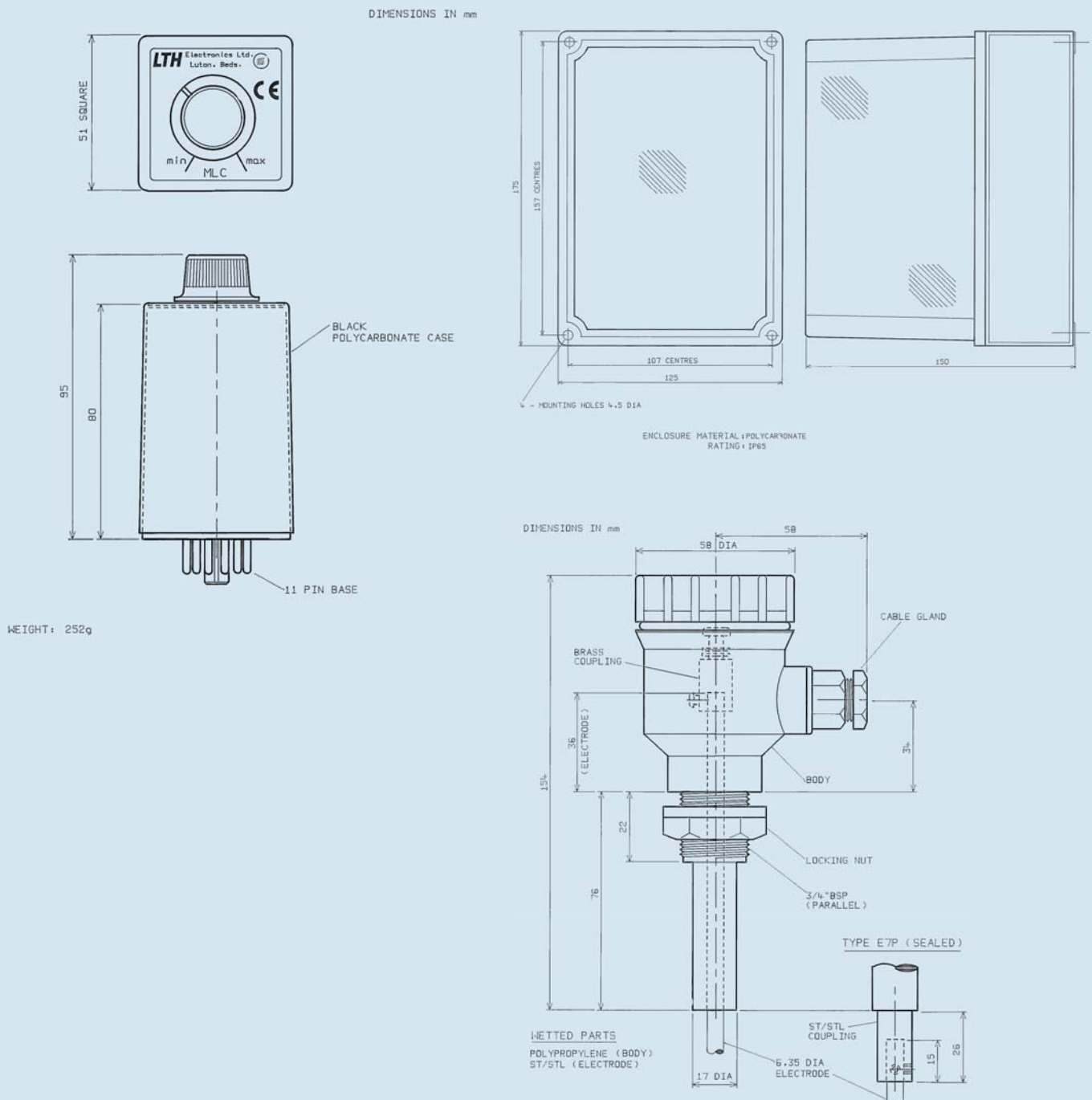
Specification

| | |
|-----------------------------------|--|
| Liquid resistance: | Up to 30,000 Ohms |
| Power supply: | 24v, 115 or 230vAC 5/60 Hz, 3W Max. |
| Relay contacts: | Single pole changeover, rated 5A, 230vAC, 5A 30v DC Maximum. |
| Sensor cable: | Up to 30 Metres |
| Ambient temperature: | 0 to + 60 °C |
| Temperature variation: | Typically $\pm 0.02\%$ of range / °C |
| Din Rail mount housing: | Black Polycarbonate case |
| Din Rail mount weight: | Less than 300grams (controller only) |
| Din Rail mount dimensions: | 95 x 51 x 51mm |
| Wall mount housing: | IP65 Polycarbonate |
| Wall Rail mount weight: | 1.2Kg (Dual controller version) |
| Wall mount dimensions: | 175 x 150 x 125mm |

E7 Series Liquid Level Electrode Holder

The E7 series of moulded electrode holders are intended for use with the MLC level controllers to provide efficient and reliable level control of electrically conducting liquids. They can accept 6.25mm electrode rods which are cut to length to suit the level the liquid is to be controlled to. The maximum length of rod is 3 Metres and where electrodes are subject to turbulence they should have intermediate support. LTH Electronics can supply electrode holder brackets to suit up to four electrodes which may be fitted over a tank or sump. The brackets are manufactured from Stainless Steel.

Dimensional Drawings



Order Codes

Plug In Level Controllers

| Type No | Part No | Description |
|---------|---------|---|
| MLC | 1508 | Miniature plug-in single circuit controller for use on liquids up to 30 kohm, variable sensitivity. Supply voltage 240v AC. |
| MLC | 1505 | As above except supply voltage 115v AC. |
| MLC | 1520 | As above except supply voltage 24v AC. |
| MLC/B1 | 1509 | As MLC but with fixed sensitivity. Supply voltage 240v AC. |
| MLC/B1 | 1506 | As above except 115v AC. |
| KF11 | 114/003 | Surface mounting socket for plug in MLC controllers. |

Surface Mounted Level Controllers in Enclosures

| Type No | Part No | Description |
|---------|---------|--|
| MLC | 1517 | MLC in surface mount IP65 enclosure. 24v AC supply |
| MLC | 1518 | MLC in surface mount IP65 enclosure 115v AC supply. |
| MLC | 1519 | MLC in surface mount IP65 enclosure 230v AC supply |
| MLC | 1521 | 2 x MLC in surface mount IP65 enclosure. 230v AC supply. |
| MLC | 1522 | 2 x MLC in surface mount IP65 enclosure. 115v AC supply. |

Liquid Level Electrodes

| Type No | Part No | Description |
|---------|---------|---|
| | 1650 | 0.25" diameter 316 stainless steel rod for use with the E7 series electrode holders. |
| | 1651 | 0.25" diameter 316 stainless steel rod with plastic sheath and graphite tip for use with E7 series electrode holders. |
| | 128/011 | Spare brass coupling for terminating 0.25" diameter electrode rod. |

Polypropylene Holders & Brackets

| Type No | Part No | Description |
|---------|---------|---|
| E7 | 1609 | Polypropylene holder for the vertical mounting of 0.25" diameter electrode. |
| E7P | 1610 | As E7 but sealed for pressures up to 20 bar. |
| B1 | 1612 | Bracket for mounting one E7 type holder. |
| B2 | 1613 | Bracket for mounting two E7 type holders. |
| B3 | 1614 | Bracket for mounting three E7 type holders. |
| B4 | 1615 | Bracket for mounting four E7 type holders. |

