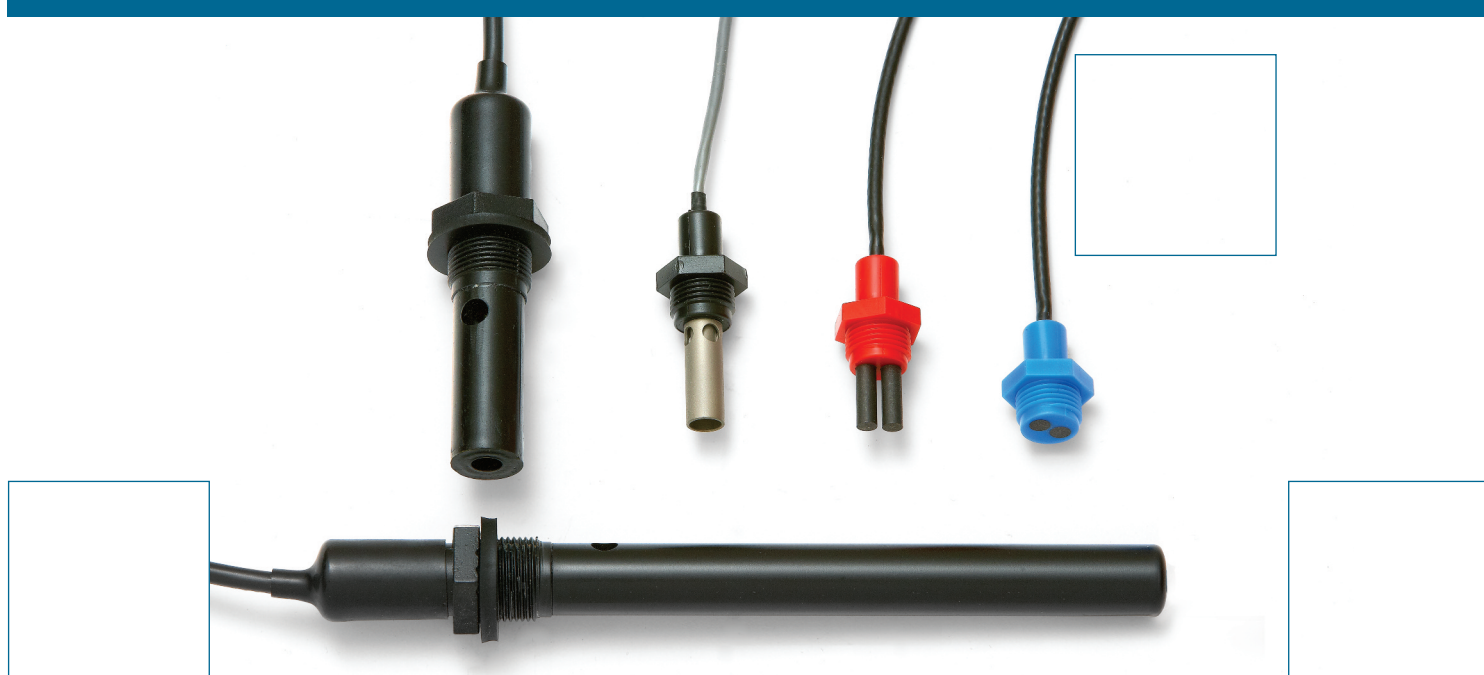


CMC7 AND CMC8 SERIES

Low Cost Insertion Conductivity Cells



Features

- Competitively priced
- Integral connection cable
- In line mounting

The CMC7 and CMC8 series of insertion conductivity cells are suitable for use in pure water measurement applications where cost and size are important factors. The principle advantage of this type of construction is that the cell constant is not affected by sample volume or the proximity of any pipework. The conductivity cells can be supplied with traceable certification.

The CMC7 conductivity cell is moulded in epoxy resin with three impregnated graphite electrodes and is fitted with 6 metres of connection cable.

The CMC8/001/PT43 conductivity cell is injection moulded in Polypropylene and uses two stainless steel coaxial electrodes and has a cell constant of $K=0.0135$. The cell is supplied complete with an integral 2 metre or 10 metre connection cable and features built in PT1000 temperature compensation. This cell is suitable for use on low pressure, low temperature pure water applications.

The CMC8/01 and CMC8/10 insertion conductivity cells are injection moulded in Polypropylene with 2 impregnated carbon electrodes and are supplied complete with either a 2 metre or 10 metre integral connection cable.

The CMC8/01 and CMC8/10 conductivity cells are non-temperature compensated cells and can be supplied with a 0.5" BSP tee as the constant is affected by sample volume.

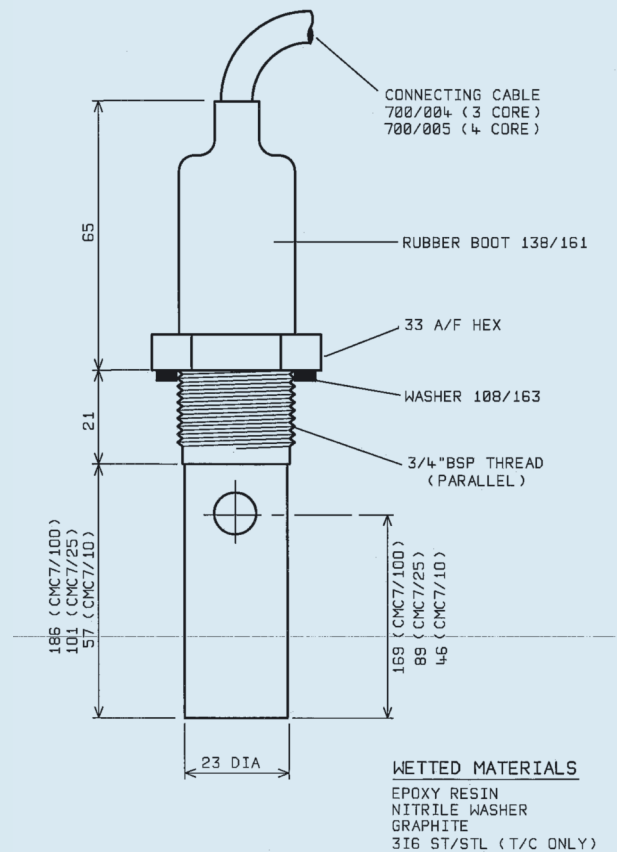
The CMC8/01 conductivity cell has a cell constant of K=0.1 and 2 protruding electrodes.

The CMC8/10 conductivity cell has a cell constant of K=1.0, flush electrodes and is suitable for conductivity readings up to 1000 mS/cm.

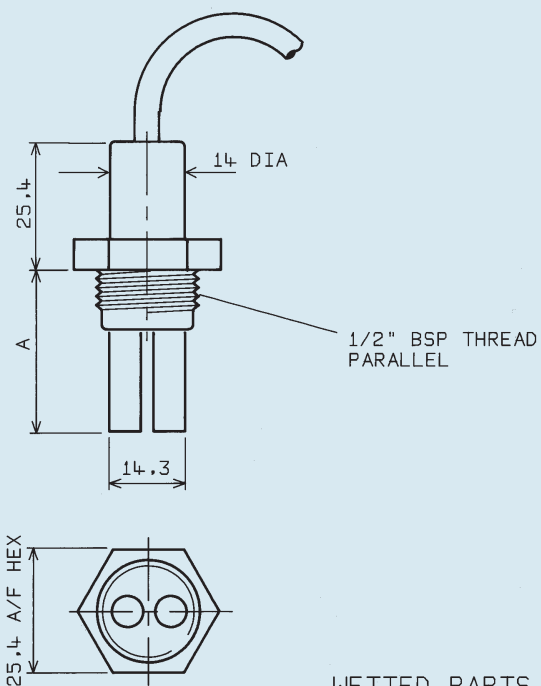
The cells require no initial or periodic calibration and the only maintenance required is to keep the electrode surfaces clean.

CMC7

DIMENSIONS IN mm

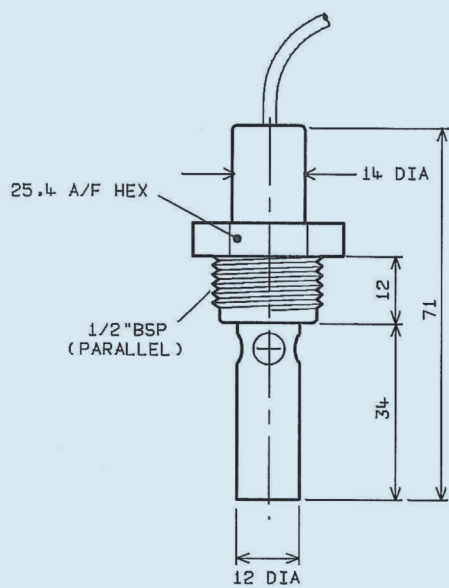


CMC8



WETTED PARTS
POLYPROPYLENE
GRAPHITE

CMC8/001/PT43



WETTED MATERIALS
POLYPROPYLENE
316 ST/STL

Specification

CMC7/10 Conductivity cell

Maximum operating temperature
90°C

Maximum operating pressure
100psi

Wetted materials
Epoxy Resin & Impregnated Graphite

Cable length
Standard 6 metres

Cell constant
K=1.0

Cell constant accuracy
±2%

Temperature compensation
PT1000

CMC7/100 Conductivity cell

Maximum operating temperature
90°C

Maximum operating pressure
100psi

Wetted materials
Epoxy Resin & Impregnated Graphite

Cable length
Standard 6 metres

Cell constant
K=10.0

Cell constant accuracy
±2%

Temperature compensation
PT1000

CMC8/001/PT43 Conductivity cell

Maximum operating temperature:
50°C

Maximum operating pressure:
3.3 bar / 50 psi

Wetted materials:
Polypropylene, 316 Stainless Steel

Cable length:
2 or 10 metres

Cell constant:
K=0.0135

Cell constant accuracy:
±3%

Temperature compensation:
PT1000 RTD

Body colour:
Black

CMC8/01 Conductivity cell

Maximum operating temperature:
50°C

Maximum operating pressure:
3.3 bar / 50 psi

Wetted materials:
Polypropylene, Impregnated Graphite

Cell constant:
K=0.1

Cable length:
2 or 10 metres

Body colour:
Red

CMC8/10 Conductivity cell

Maximum operating temperature:
50°C

Maximum operating pressure:
3.3 bar / 50 psi

Wetted materials:
Polypropylene, Impregnated Graphite

Cell constant:
K=1.0

Cable length:
2 or 10 metres

Body colour:
Blue

Order Codes

Type No	Part No	Description
CMC7/10	1354	K=1.0, 0.75" BSP, no temperature compensation with 6 metres of connection cable.
CMC7/10/PT43	1457	K=1.0, 0.75" BSP, with PT1000 temperature compensation and 6 metres of connection cable
CMC7/100	1360	K=10.0, 0.75" BSP, no temperature compensation with 6 metres of connection cable.
CMC7/100/PT43	1468	K=10.0, 0.75" BSP, with PT1000 temperature compensation and 6 metres of connection cable.
CMC8/001/PT43	1735	K=0.0135, 0.5" BSP with stainless steel electrodes, PT1000 temperature compensation and 2 metres of cable
CMC8/001/PT43	1765	K=0.0135, 0.5" BSP with stainless steel electrodes, PT1000 temperature compensation and 10 metres of cable
CMC8/01	1428	K=0.1, 0.5 "BSP, no temperature compensation with 2 metres of connection cable.
CMC8/01	1433	K=0.1, 0.5" BSP, no temperature compensation with 10 metres of connection cable.
CMC8/10	1429	K=1.0, 0.5 "BSP, no temperature compensation with 2 metres of connection cable.
CMC8/10	1434	K=1.0, 0.5 "BSP, no temperature compensation with 10 metres of connection cable.

Note: Temperature, pressure & solution composition will influence the life expectancy of the measurement sensor.



These products comply with current European Directives

LTH Electronics Ltd reserves the right to make changes to this data sheet or the product without notice, as part of our policy of continued developments and improvements. All care has been taken to ensure the accuracy of information contained in this data sheet. However we cannot accept responsibility for any errors or damages resulting from errors or inaccuracies of information contained herein.