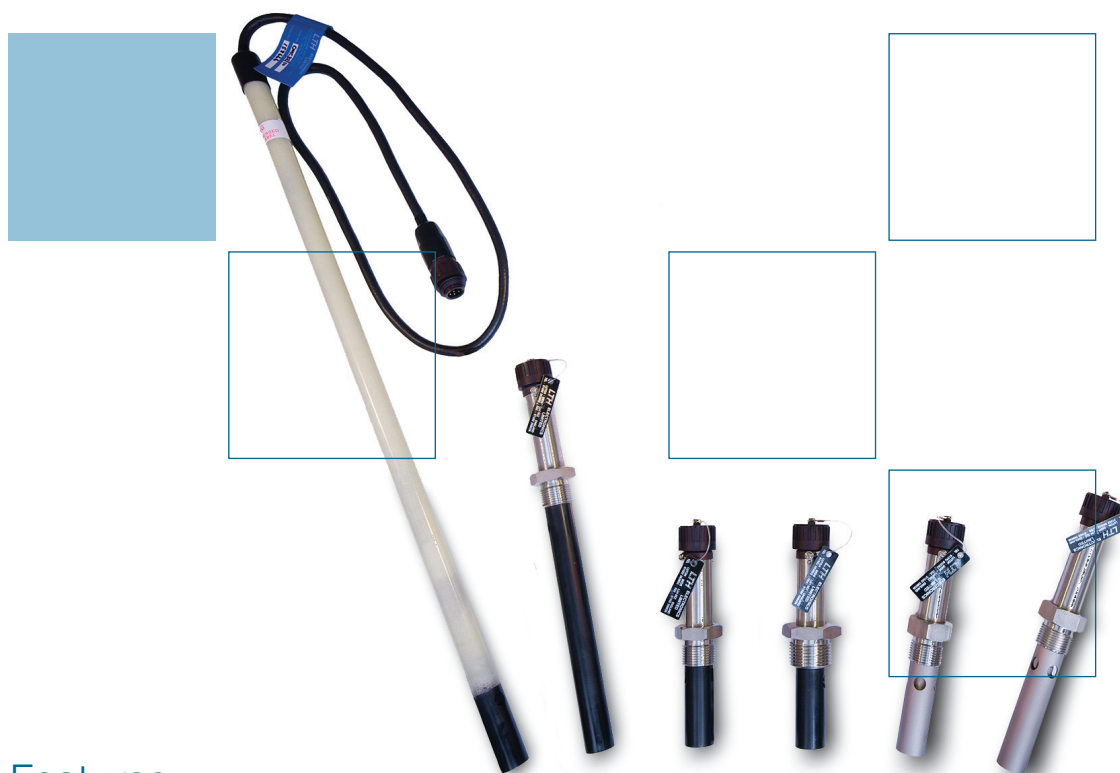


CMC30

Series Conductivity cells



Features

- High quality, robust industrial sensors
- Available with or without built in temperature compensation
- Dip, Pipe & Tank mounting options available
- IP66 Quick release connector simplifies installation & maintenance
- Choice of Cell constants 0.01, 0.1, 1.0 & 10.0

The CMC30 series of conductivity cells incorporate a quick release IP66 connector that simplifies installation, maintenance and fault finding.

The construction of the cells is extremely rugged making the cells suitable for industrial applications. The cells require no initial or periodic calibration and usually the only maintenance required is to ensure the electrode surfaces are kept clean.

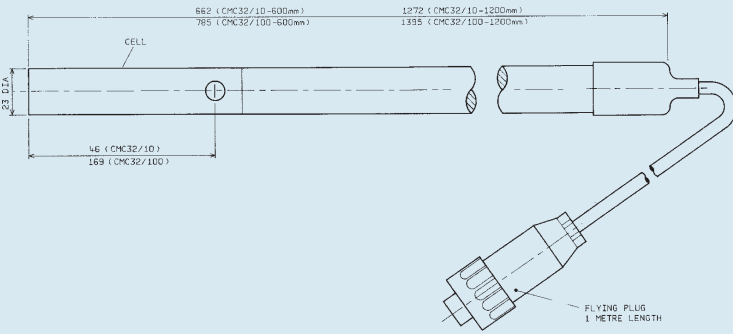
The CMC32/10, CMC32/100, CMC34/10, CMC34/100 and CMC36/10 conductivity cells consist of 3 Graphite electrodes cast into an epoxy resin body which electrically isolates a precise volume of liquid. This ensures that the measured conductivity is not affected by the sample volume and proximity to pipes or tank walls.

The CMC34/001 and CMC34/01 cells have electrodes of Stainless Steel and are intended for use in low conductivity applications. The construction of these cells permit use up to 130°C and 10 bar pressure.

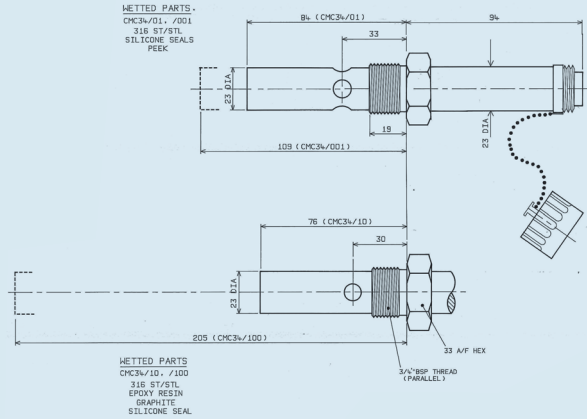
All of the conductivity cells can be supplied with cell constant certification if required.

CMC30 Series Conductivity cells

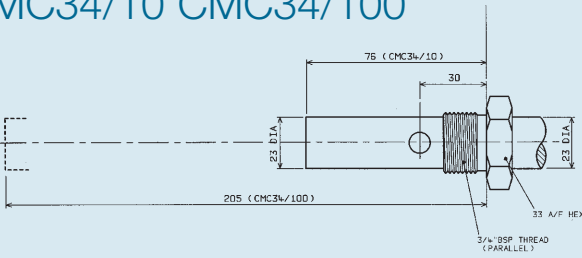
CMC32/10 CMC32/100



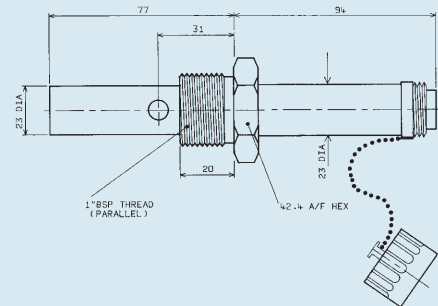
CMC34/001 CMC34/01



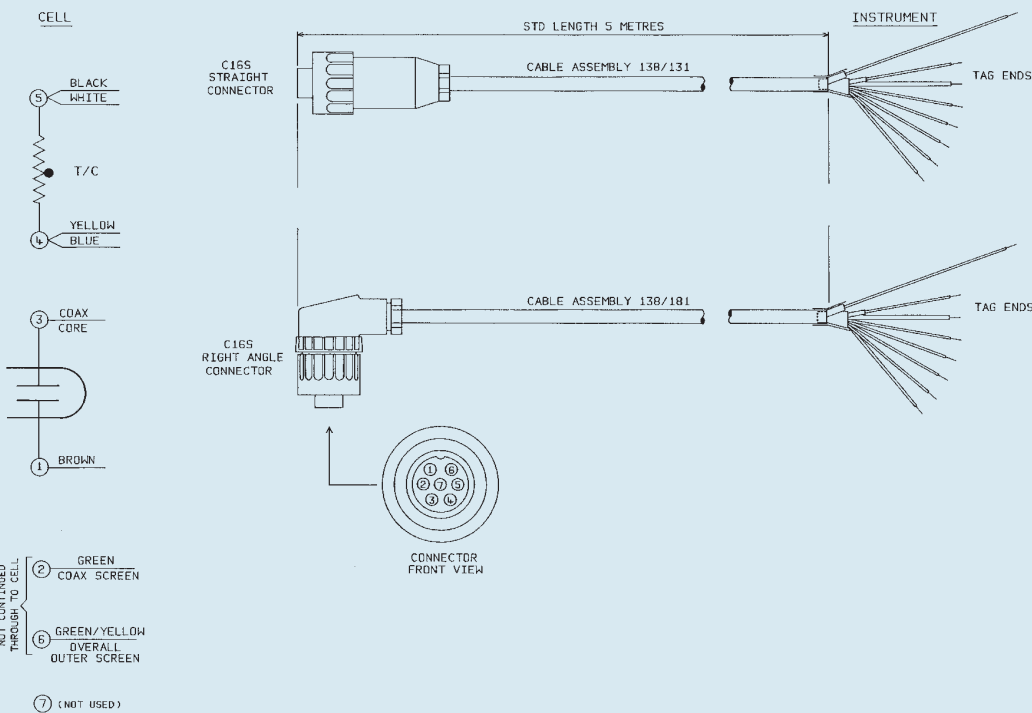
CMC34/10 CMC34/100



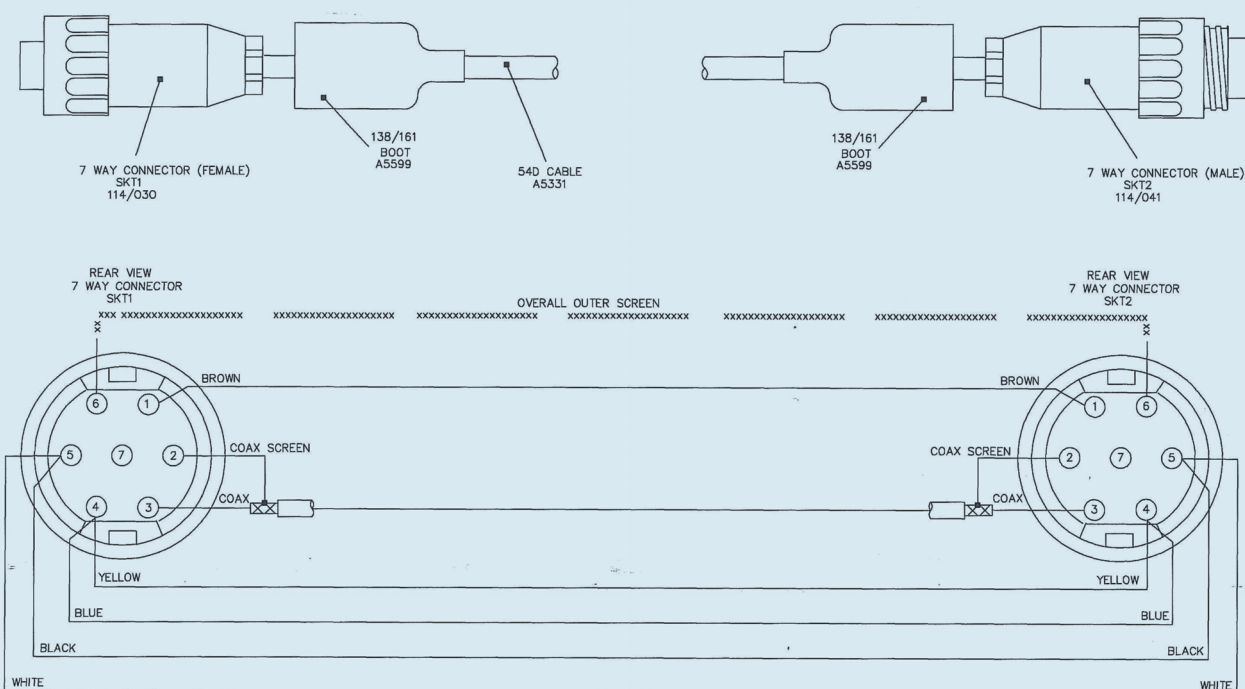
CMC36/10



Cable Assemblies



Cable Assemblies for use with HCT63 Series Transmitters



Specification

CMC32/10 and CMC32/100 Dip cells

Operating Temperature:

-5 to 90°C (not freezing)

Wetted Materials:

Resin impregnated fibreglass or 316 stainless steel stem, epoxy resin cell, internal silicone seal

Cell constant:

CMC32/10 K = 1.0

CMC32/100 K = 10.0

Temperature compensation:

PT1000 as standard*

Mounting:

600 or 1200mm dip

CMC34/001 and CMC34/01 Insertion cells

Operating Temperature:

-5 to 130°C (not freezing)

Operating Pressure:

Vacuum to 10 bar (150 psi).

Wetted Materials:

316 stainless steel, Peek, silicone seals

Cell constant:

CMC34/001 K = 0.01

CMC34/01 K = 0.1

Temperature compensation:

PT1000 as standard*

Mounting:

0.75" BSP

CMC34/10, CMC34/100 and CMC36/10 Insertion cells

Operating Temperature:

-5 to 90°C (not freezing)

Operating Pressure:

Vacuum to 6.6 bar (100 psi).

Wetted Materials:

Epoxy resin, 316 stainless steel, graphite, silicone seal

Cell constant:

CMC34/10 K = 1.0,

CMC36/10 K = 1.0

CMC34/100 K = 10.0

Temperature compensation:

PT1000 as standard*

Mounting:

CMC34 - 0.75" BSP, CMC36 - 1" BSP

*Other variants available – contact LTH Sales department for details

Note: Temperature, pressure and solution composition will influence the life expectancy of the measurement sensor.

Order Codes

CMC32 Dip Conductivity Cells with 0.5 metre of cable and C16 connector. Cable to be ordered separately

Type No	Part No	Description
CMC32/10	1737	Cell Constant K = 1.0, 600mm stem, no temperature compensation.
CMC32/10	1738	Cell Constant K = 1.0, 1200mm stem, no temperature compensation.
CMC32/10/PT43	1749	Cell Constant K = 1.0, 600mm stem, with PT1000 temperature compensation.
CMC32/10/PT43	1750	Cell Constant K = 1.0, 1200mm stem, with PT1000 temperature compensation.
CMC32/100	1751	Cell Constant K = 10.0, 600mm stem, no temperature compensation.
CMC32/100	1752	Cell Constant K = 10.0, 1200mm stem, no temperature compensation.
CMC32/100/PT43	1761	Cell Constant K = 10.0, 600mm stainless steel stem, with PT1000 temperature compensation.
CMC32/100/PT43	1762	Cell Constant K = 10.0, 1200mm stainless steel stem, with PT1000 temperature compensation.

Insertion male threaded conductivity Cells with C16 connector. Cable to be ordered separately

Type No	Part No	Description
CMC34/001	1700	Cell Constant K = 0.01, no temperature compensation, 0.75" BSP.
CMC34/001/PT43	1703	Cell Constant K = 0.01, with PT1000 temperature compensation, 0.75" BSP.
CMC34/01	1705	Cell Constant K = 0.1, no temperature compensation, 0.75" BSP.
CMC34/01/PT43	1708	Cell Constant K = 0.1, with PT1000 temperature compensation. 0.75" BSP.
CMC34/10	1709	Cell Constant K = 1.0, no temperature compensation, 0.75" BSP.
CMC34/10/PT43	1716	Cell Constant K = 1.0, with PT1000 temperature compensation. 0.75" BSP.
CMC34/100	1717	Cell Constant K = 10.0, no temperature compensation, 0.75" BSP.
CMC34/100/PT43	1722	Cell Constant K = 10.0, with PT1000 temperature compensation. 0.75" BSP.
CMC36/10	1723	Cell Constant K = 1.0, no temperature compensation, 1" BSP.
CMC36/10/PT43	1729	Cell Constant K = 1.0, with PT1000 temperature compensation, 1" BSP.

Conductivity Cell Connection Cables

Type No	Part No	Description
54D/C16	138/131	5 Metre type 54D connection cable, fitted with C16P connector.
54D/C16	138/322	10 Metre type 54D connection cable, fitted with C16P connector.
54D/C16	138/323	15 Metre type 54D connection cable, fitted with C16P connector.
54D/C16	138/327	20 Metre type 54D connection cable, fitted with C16P connector.
54D/C16	138/326	30 Metre type 54D connection cable, fitted with C16P connector.
54D/C16	138/330	5 Metre Conductivity cell connection cable for use with wall mounting HCT63 conductivity transmitter.
54D/C16	138/331	10 Metre Conductivity cell connection cable for use with wall mounting HCT63 conductivity transmitter.

*Other cable lengths available on request, please contact our sales department for further details.



These products comply with current European Directives

